

TL-8530-JT

Single Row Trailed Potato Harvester

TURNER



The new TL-8530-JT single row trailed potato harvester has no equal in South Africa. It was designed and developed in South Africa for South African conditions.

It boasts a short digging web that has a greater capacity, and is capable of handling larger volumes (up to 2 hectares per day), and due to this valuable time is saved which translates into greater profits.

The hydraulically steerable wheels allow for a smaller turning circle which helps with those awkward tight turns at the end of the field.

The hydraulically adjustable drawbar ensures that precise tracking between the tractor and harvester can be achieved.

The proven Q-drive system limits abrasion to a minimum, which contributes toward the low maintenance cost of the TL-8530-JT.



The *TURNER* TL-8530-JT is backed by a complete spares service.

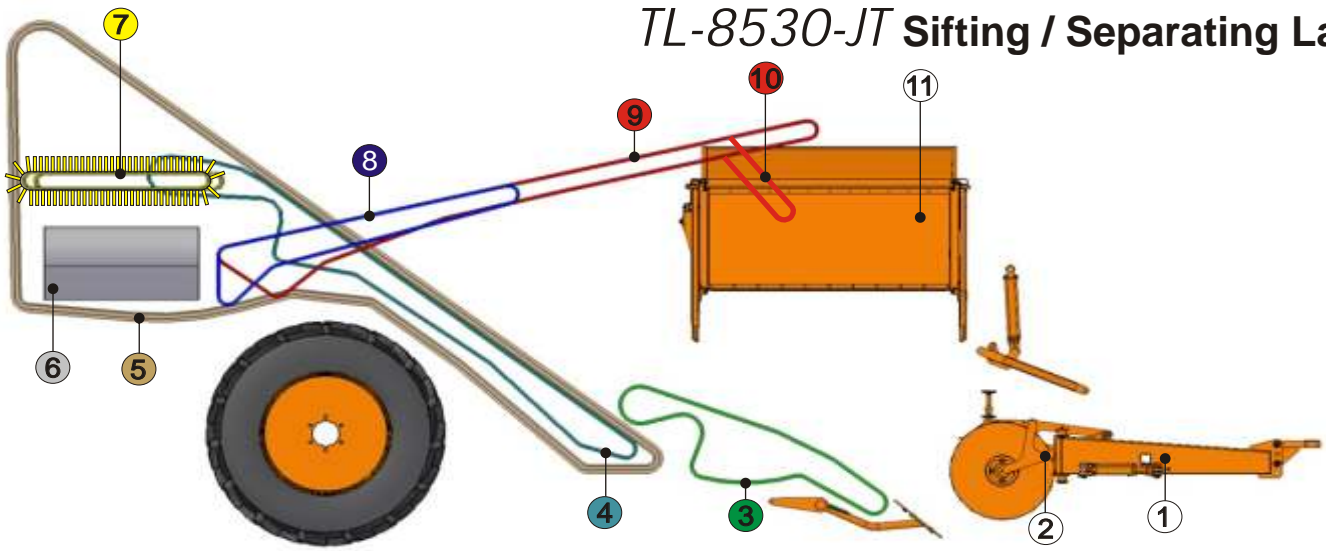
CONTACT FRANCOIS ON +27 83 258 5083

Turnerland Manufacturing (Pty) Ltd.
Old Vredenburg Road
Hopefield
7355
South Africa

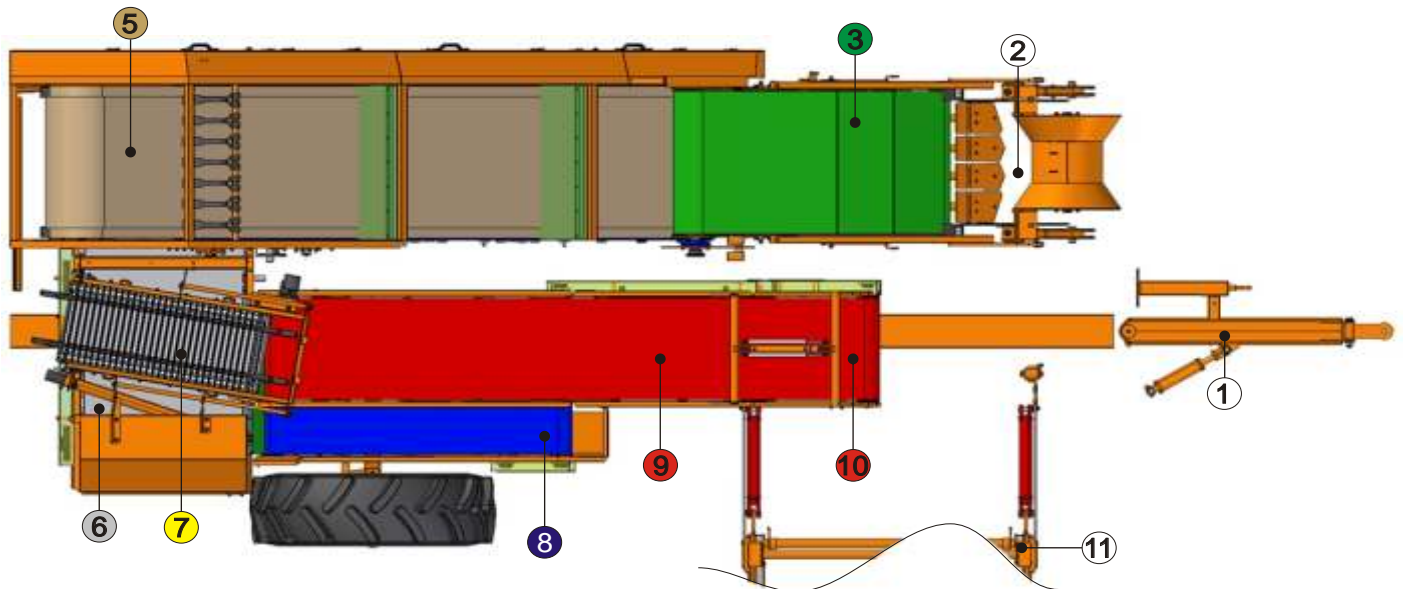
TURNER
YOUR PARTNER IN FARMING

Tel: +27 22 723 1413
Fax: +27 22 723 1458
Mobile: +27 83 258 5083
info@turnerland.co.za
www.turnerland.co.za

TL-8530-JT Sifting / Separating Layout



- ① Hydraulically adjustable drawbar
- ② Drawn type in-take unit
2 spring loaded coulter discs
4 digging shares
1 diabolo roller
- ③ Short digging web 845mm x 3970mm
- ④ 2nd web - 900mm x 7215mm
- ⑤ Haulm web - 900mm x 10589mm
- ⑥ Hedgehog web with deflector roller
- ⑦ Finger web
- ⑧ Waste web - 305mm x 4010mm
- ⑨ Picking web - 605mm x 7370mm
- ⑩ Hydraulically adjustable goose neck
- ⑪ Rolling floor bunker with 3 ton capacity



Dimensions		Haulm separation	
Length with drawbar	7786mm	Deviner web	900mm x 10586mm; 12mm rods 250mm pitch
Width	3138mm	Separation system	
Width bunker extended	4813mm	Hedgehog web	Transverse mounted with deflector roller 890mm x 4720mm 40mm pitch
Height	3338mm	Finger web	Longitudinally mounted rubber finger web 470mm x 2480mm 36mm pitch
Weight		Picking table	
Unladen	5180 kg	Picking-off web	605mm x 7370mm 28mm pitch
Laden	8180kg	Waste web	305mm x 4010mm 28mm pitch
Braking system	NA	Moving floor bunker	
Parking brake	NA	Capacity	3000 kg
Drawbar	Hydraulic adjustable	Max. discharge height	4200mm
Power transmission	P.T.O shaft with shear bolt Max P.T.O speed 540 rpm	Drive	Hydraulic motor
Tyres	14.9-28 Track & field	Hydraulic system	Mechanical
Crop intake	Pulled crop intake section 2 spring-loaded coulter discs 4 digging shares 1 diabolo roller	Power requirement	68kw / 90hp
Soil separation		Technical Data TL-8530-JT	
1st Main web	845mm x 3970mm; 10mm rods 36, 40, 44, 50mm pitch		
2nd Main web	900mm x 7215mm; 10mm rods 32, 36, 40, 44mm pitch		